

# SILENCE: The quieter option.

No blower no air! In industrial processes one blower can often supply several air heaters in parallel. Our durable and maintenance-free blowers are a result of uncompromising quality standards and decades of experience. SILENCE, Leister's mid-range blower, is very quiet during operation at 61 dB(A). Developed to withstand operating conditions with air intake temperatures of 100° C to 200° C. Delivers optimum & effortless performance in ambient temperatures up to 75° C.

Medium pressure blower

## SILENCE



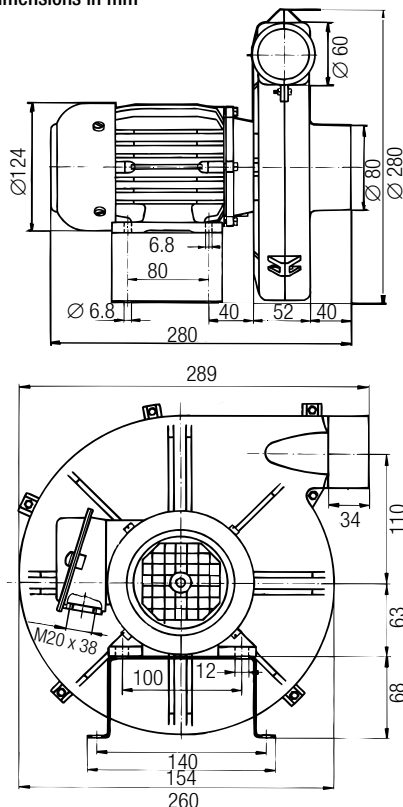
### Technical data SILENCE

Design: radial blower

Frequency	Hz	50	60
Air flow (20 °C)	l/min	4700	6000
Static pressure	kPa	1.0	1.4
Max. ambient temperature	°C	75	75
Max. air inlet temperature	°C	200	200
Noise emission level	dB(A)	61	61
Environmental protection (IEC 60529)		IP 54	IP 54
Outside diameter air inlet	mm	Ø 80	Ø 80
Outside diameter air outlet	mm	Ø 60	Ø 60
Weight	kg	9.0	9.0
Conformity mark		CE	CE
Protection class I		⊕	⊕

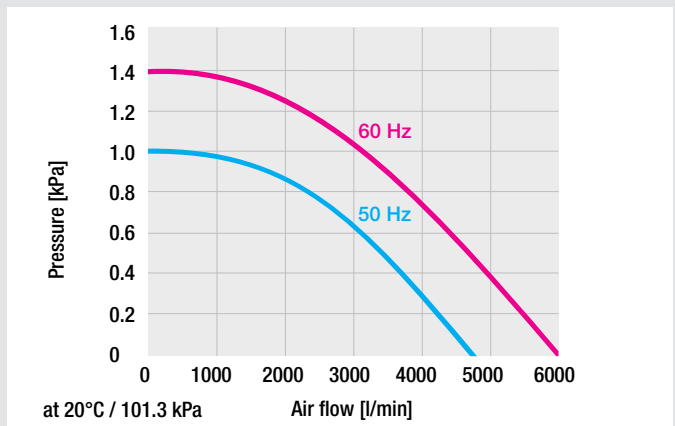
Can be controlled with FC (page 57), 20 – 80 Hz

Installation dimensions in mm



Voltage	V ~ 50 Hz	1 x 230	3 x 230 / 400
	V ~ 60 Hz		3 x 440 – 480
Power consumption	W	250	250
<b>Without cable</b>	<b>Order no.</b>		<b>103.507</b>
<b>3 m cable / Euro plug</b>	<b>Order no.</b>	<b>103.510</b>	

Additional versions available on request



➔ Accessories page 58